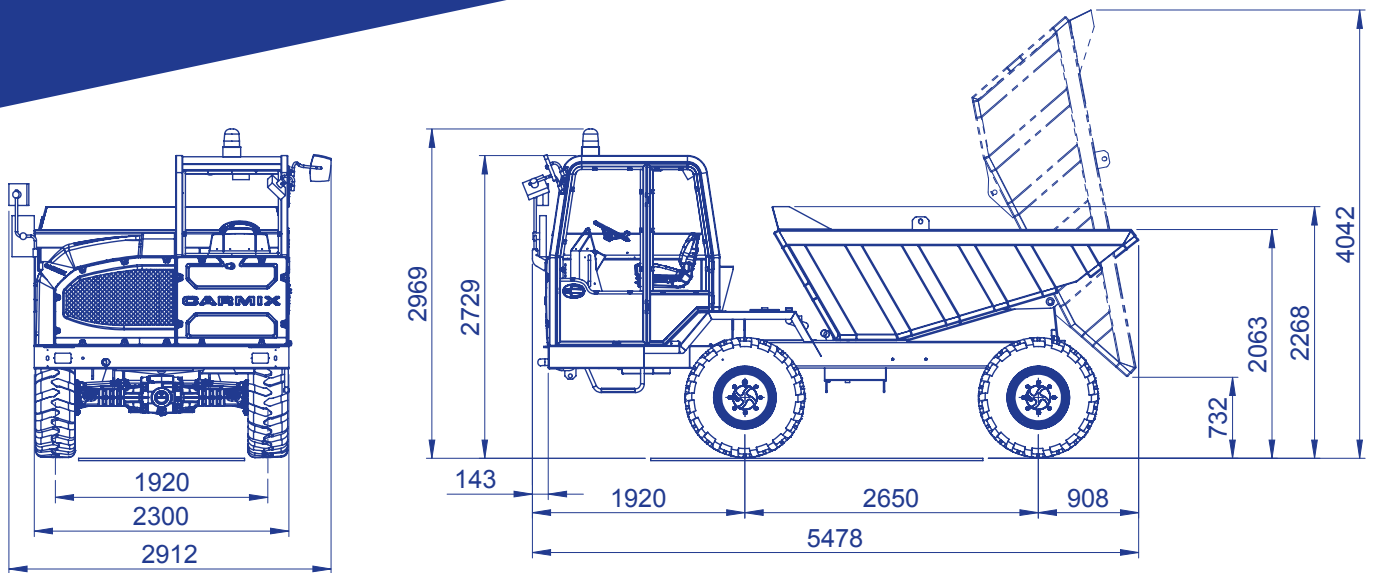


DUMPER D6EVO

CARMIX
Italian family factory



ACCESSORIES ON DEMAND

Spare wheel

DUMPER D6EVO

CARMIX
Italian family factory



BUCKET

Struck: 4500 liters. Heaped SAE: 6000 liters.



PAYLOAD

Kg. 10.000.



ENGINE

Perkins Stage III - Tier 3A 1104D-44TA Turbo-diesel, 4 cylinders, water-cooled. Power 62,5 kW (84 HP) set at 2200 rpm.



TRANSMISSION

Fully hydrostatic Bosch Rexroth with electric inverter. Gear box with mechanic control, two speeds. 4 wheel drive and steering.



AXLES

Dana Spicer with oil bath disc brakes and planetary reducers.



SPEED

Working speed from 0 to 9 km/h. Road transfer from 0 to 25 km/h.



CABIN

Closed cab ROPS FOPS (ISO 20474-1-6) complete with air conditioning and front camera. Reversible driving seat 180° with automatic inversion of hydraulic steering circuit. Rear and front camera.



SKIP

Heavy duty rock type. Hydraulic tilting with 2 cylinders.



HYDRAULIC SYSTEM

2 independent circuits, variable outlet pump for hydrostatic transmission and hydraulic pump for services. Heat exchanger water-oil-air/air type.



BRAKES

Oil bath disc brakes on 4 wheels. Hydraulic parking brake negative on rear axle manually operated.



TYRES

Off road industrial type 16/70-20 14 PR.



STEERING

Hydrostatic, "load sensing" type 3 way steering. Radius: internal 2000 mm. external 3700 mm.



ELECTRIC SYSTEM

12 volt. 120 Ah battery for electric starter and road lighting. Safety battery cut-off.



GRADIENT

Fully loaded 30%.



TANKS

Diesel: 115 liters. Hydraulic oil: 80 liters.



TELAIO

Steel profile specially engineered for off-road operations.



WEIGHT

Empty: 5.800 kg equally distributed on both axles.



SAFETY

Machine equipped with checking and block valves for maximum safety of the operator.



CATALOGUE

The machine is equipped with Use and Maintenance and Spare Parts Manuals according to CE regulations.

CARMIX
EVERYWHERE
YOU BUILD